

# NDiS B328-J3160/N3160

Fanless Embedded Computer Powered  
by Intel® Celeron® J3160/N3160 SoC Processor



## Main Features

- Intel® Celeron® J3160/N3160
- HDMI (4K resolution) and VGA independent displays
- USB 3.0 support
- WLAN support
- Compact and fanless design

## Product Overview

Powered by Intel® Celeron® J3160/N3160 SoC processor, NDiS B328- J3160/N3160 digital signage player can handle very rich multimedia contents. With Intel® processor low power consumption feature. In addition, the Intel® Celeron® Core™ processors deliver significant improvements up to two and a half times the performance in graphics offering stunning visuals for compelling 4K content creation and media playback. NDiS B328-J3160/N3160 supports display output by HDMI and VGA ports. Integration flexibility with various peripherals such as touchscreen displays, scanners, readers, and many more. NDiS B328-J3160/N3160 the fanless durability further extends to semi-outdoor usage like QSR drive through kiosks, box office displays, information stands, bus stops, or digital transit information signs. It is also ideal as a digital signage player delivering enhanced performance and new immersive experiences for advertising, hospitality and brand promotion applications.

## Specifications

### CPU Support

- Intel® Celeron® SoC processor J3160/N3160 Quad Core 1.6GHz up to 2.24GHz

### Graphic

- Intel® integrated HD 400 graphicse

### Main Memory

- 2 x 204-pin SO-DIMM sockets, supports DDR3L 1600 MHz non- ECC, un-buffered memory up to 8G (single socket max. 4GB)

### I/O Interface-Front

- 2 x USB 2.0
- 2 x USB 3.0
- 1 x DB9 for RS232 (cable)
- 1 x Storage active LED
- 1 x Power switch with LED

### I/O Interface-Rear

- 1 x DC-in jack, 2.5/5.5mm (19V DC)
- 1 x VGA (1920 x 1200 resolution)
- 1 x HDMI 1.4 (4K Resolution)
- 2 x Antenna hole

- 2 x USB 3.0
- 1 x RJ45 with LEDs for Gigabit LAN
- 1 x Line-out
- 1 x Mic-in

### Storage Device

- 1 x 2.5" SATA3 HDD/SSD
- 1 x M.2 2242 SSD, SATA/PCIe by 2 signal (default SATA signal)

### Expansion

- 1 x mini-PCIe full size connector, USB+PCIe signal, support Wi-Fi
- 1 x M.2 B key 2242 slot, SATA support

### Dimensions

- 224.34mm (W) x 147.4mm (D) x 29mm (H)

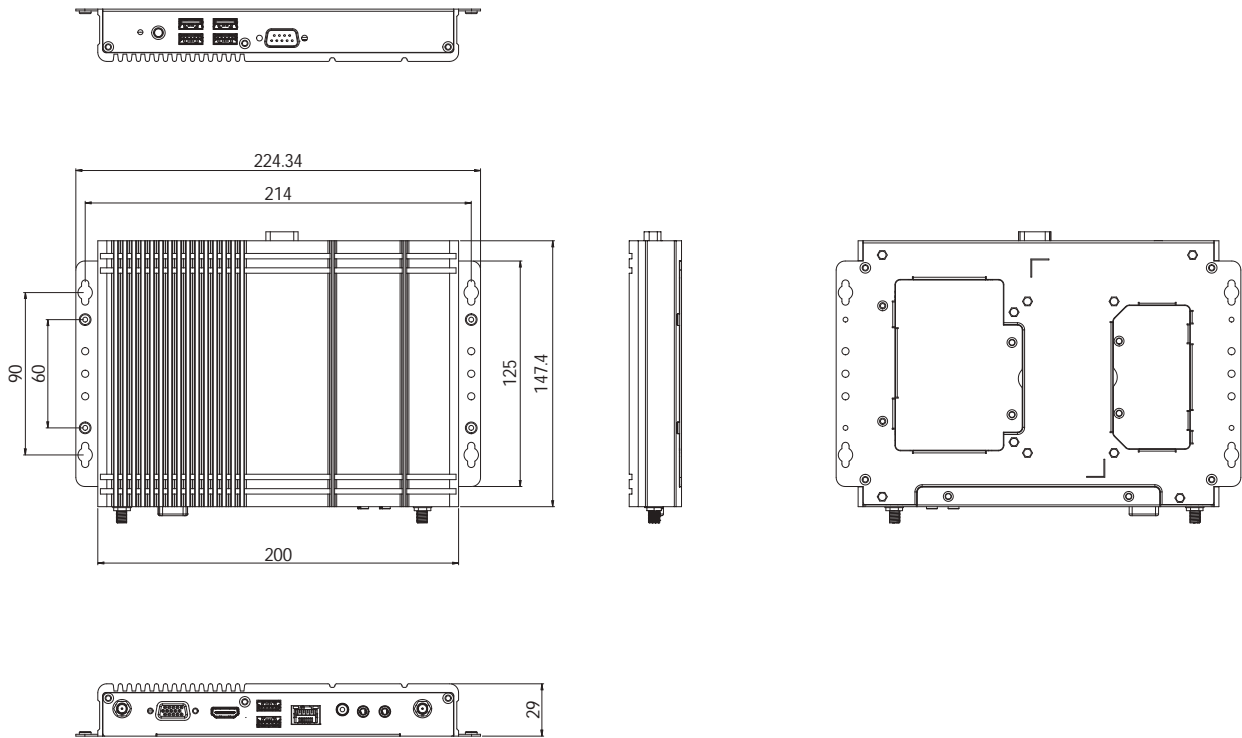
### Power Supply

- DC power input +19V

### Environment

- Operating temperature: @ 100% CPU loading and component thermal profile from -20°C~50°C
- Storage temperature: -20°C~80°C
- Humidity: 95% (non-condensing)

## Dimension Drawing



### Certification

- CE approval
- FCC Class A

### Operating System

- Win7 32/64-bit, Win8.1 32/64-bit, Win10 32/64-bit, Linux

## Ordering Information

- **NDiS B328-J3160 (P/N: 10W00B32801X0)**  
Intel® Celeron® J3160 Quad Core fanless system
- **NDiS B328-N3160 (P/N: 10W00B32802X0)**  
Intel® Celeron® N3160 Quad Core fanless system